

HMF 2030-K



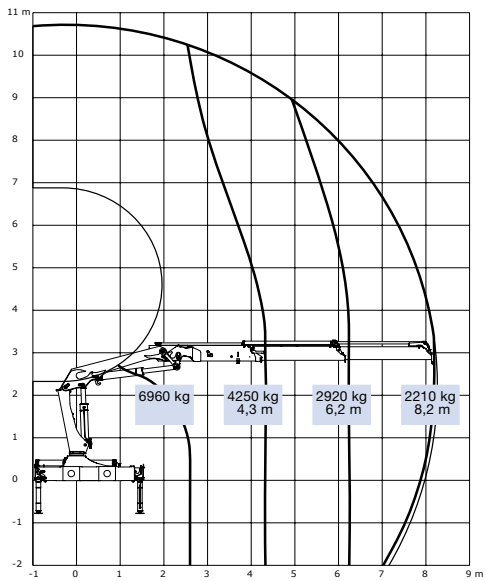
- power to lift.

HMF Knuckle Boom Loader 2030-K

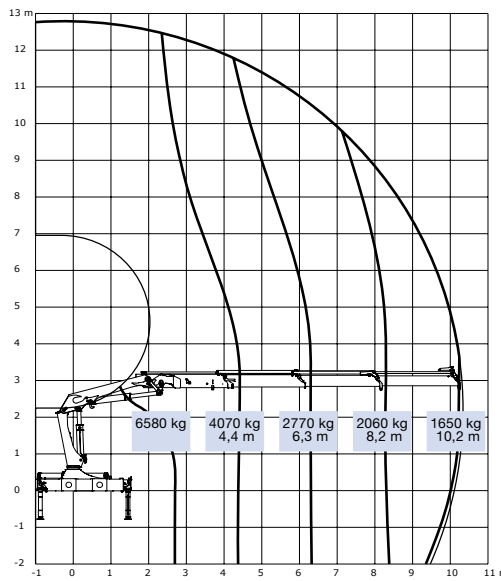
HMF's latest generation of loaders in the 20 tm range, HMF 2030-K, is constructed as a strong and versatile working tool.

- The HMF 2030-K standard equipment includes a user-friendly speed control, which also delivers increased lifting capacity.
- The jib extension system is available with over-bending of 15° between the main boom and the jib. This over-bending provides high flexibility for demanding tasks in narrow places, in particular through low gates and windows.
- The HMF 2030-K has a single Power Plus link arm system on the jib, which provides high lifting capacity, even when the boom system is fully extended. The loader has high strength, regular speed and is well suited for loading and unloading tasks at a low height far away from the vehicle.
- With HMF's newly developed CE-safety system, the RCL 5300 Series, HMF acknowledges that safety has to co-operate with the user and help him during critical lifting tasks.
- The newly developed jib extension systems on the HMF 2030-K are made of ultra-high tensile steel, which provide superior strength and low tare weight. At the same time they are designed to obtain very high resistance to fatigue.
- There is an extensive range of peripheral options available for the HMF 2030-K. The loader is available with winch or extra valves for Fly-Jib or grab, among others. This way we ensure that the loader is capable of performing a wide range of tasks.
- The HMF 2030-K Series is available with all modern control modes. E.g. the stand-up platform is an excellent workplace, where the loader is operated directly from the control valve and the operator has a perfect view of the working area.

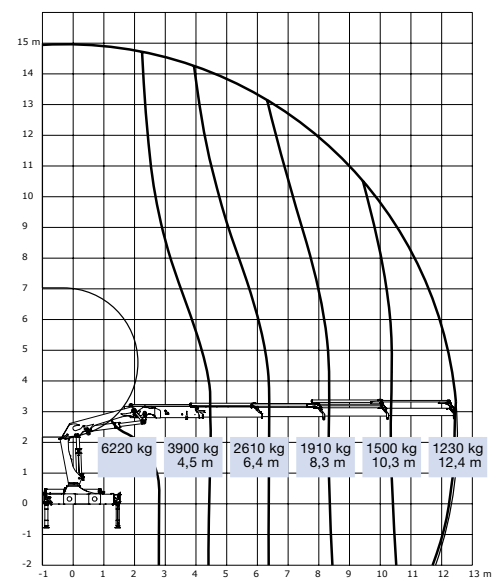
HMF 2030-K2



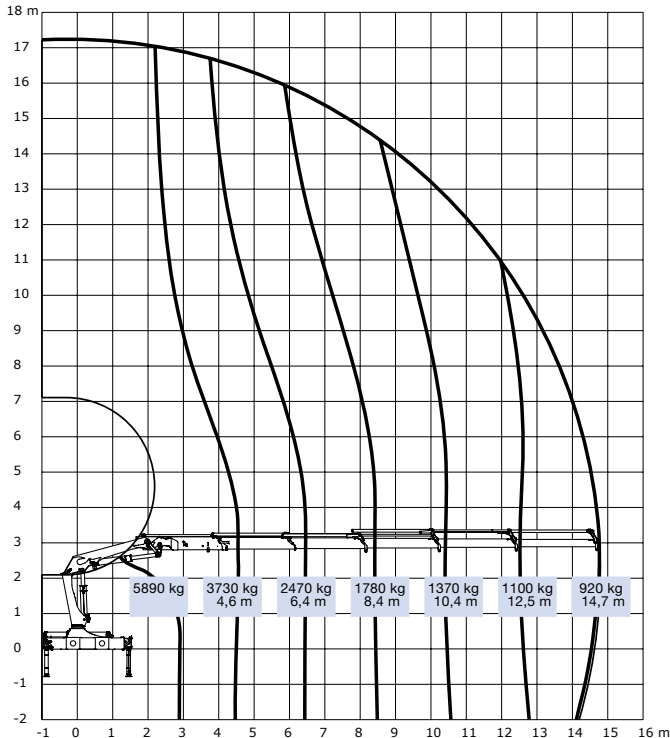
HMF 2030-K3



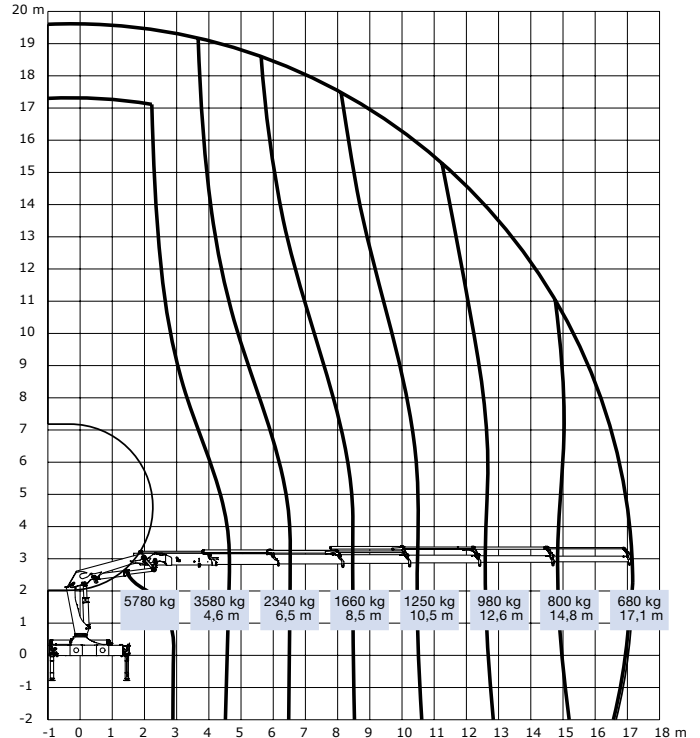
HMF 2030-K4



HMF 2030-K5



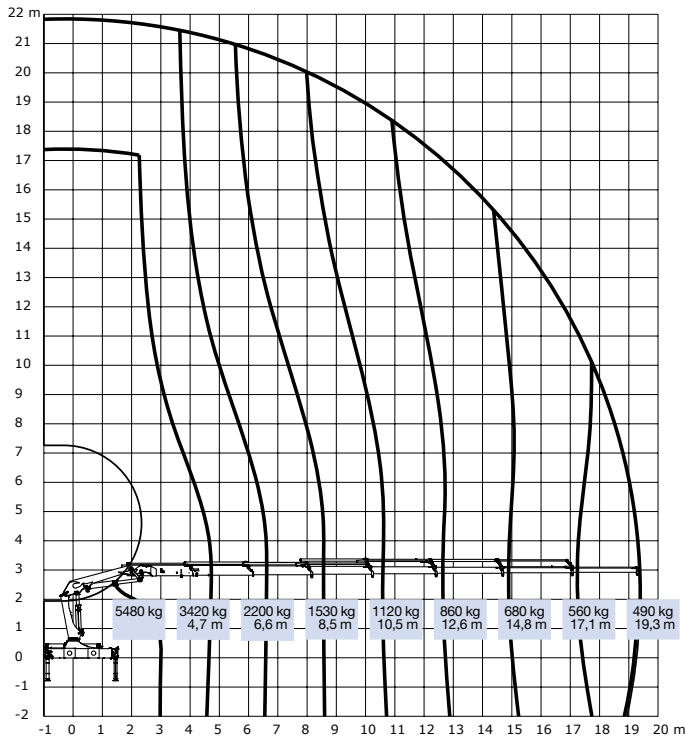
HMF 2030-K6



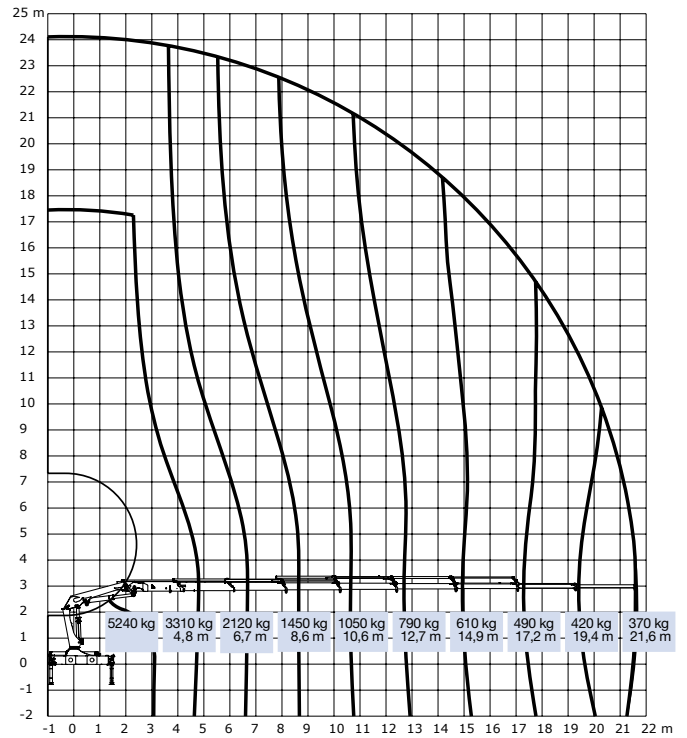
Loading group B3	Unit	2030-K2	2030-K3	2030-K4	2030-K5	2030-K6	2030-K7	2030-K8
Load moment	tm	18.4	17.9	17.5	17.0	16.6	16.1	15.8
Hydraulic reach	m	8.3	10.3	12.5	14.8	17.2	19.4	21.7
Slewing torque	kgm	2426	2426	2426	2426	2426	2426	2426
Slewing angle	°	400	400	400	400	400	400	400
Max. heel at max. moment	°	5	5	5	5	5	5	5
Working pressure	Bar	330	330	330	330	330	330	330
Recommended pump performance	l/min	55	55	55	55	55	55	55
Height above chassis	mm	2295	2295	2295	2295	2295	2295	2295
Length of loader, no extra valves	mm	880	880	880	880	880	990	990
Length of loader, with extra valves	mm	1000	1000	1000	1000	1000	-	-
Width	mm	2500	2500	2500	2500	2500	2500	2500
Stabilizer spread, standard	mm	5575	5575	5575	5575	5575	5575	5575
Stabilizer spread, double	mm	6455	6455	6455	6455	6455	6455	6455
Weight of standard loader excl. stabilizers*	kg	1770	1925	2080	2220	2345	2450	2535
Weight of stabilizers, standard*	kg	275	275	275	275	275	275	275
Weight of stabilizers, double*	kg	355	355	355	355	355	355	355

* Weight excl. fittings, optional extras and oil.

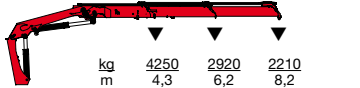
HMF 2030-K7



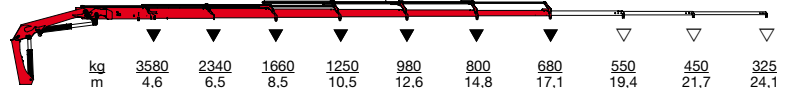
HMF 2030-K8



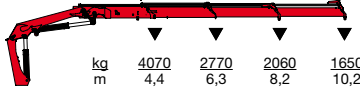
HMF 2030-K2



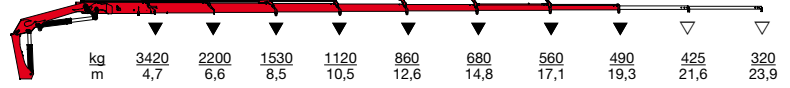
HMF 2030-K6



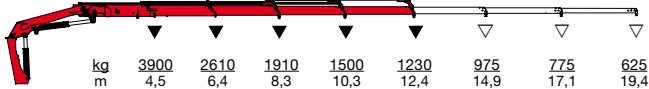
HMF 2030-K3



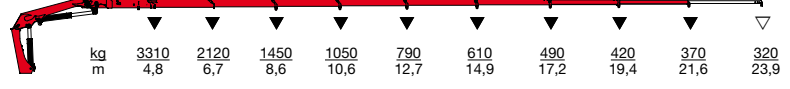
HMF 2030-K7



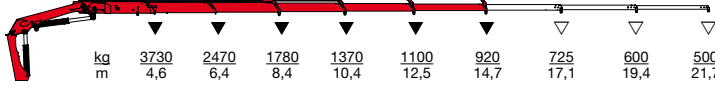
HMF 2030-K4



HMF 2030-K8



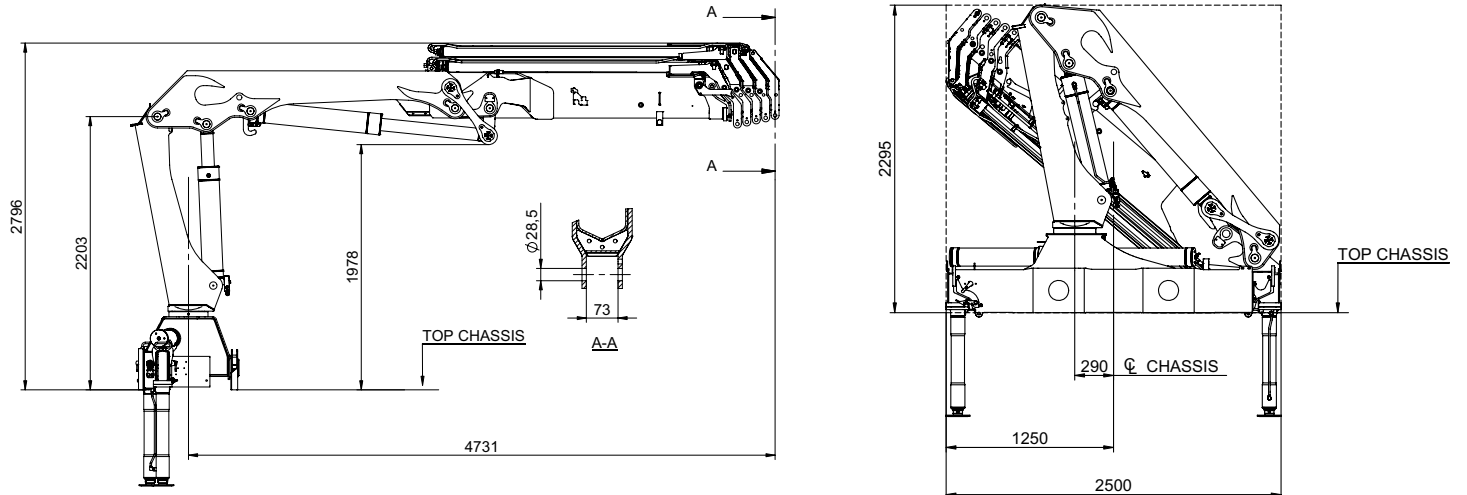
HMF 2030-K5



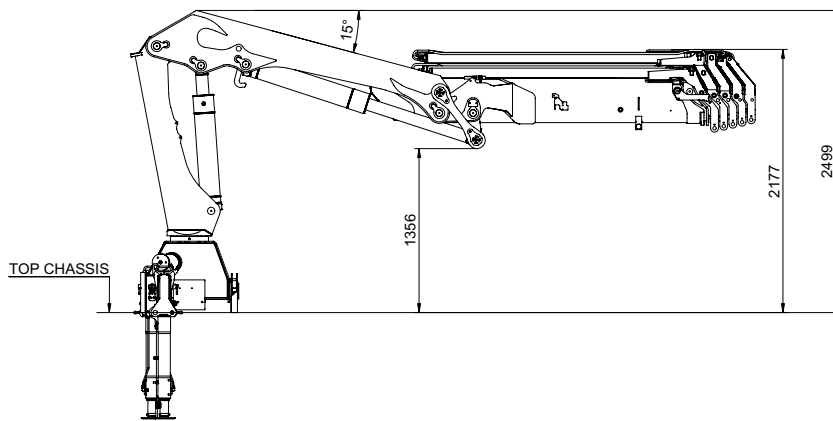
▼ Lifting capacity without manual extensions
 ▽ Lifting capacity with manual extensions

HMF Knuckle Boom Loader 2030-K

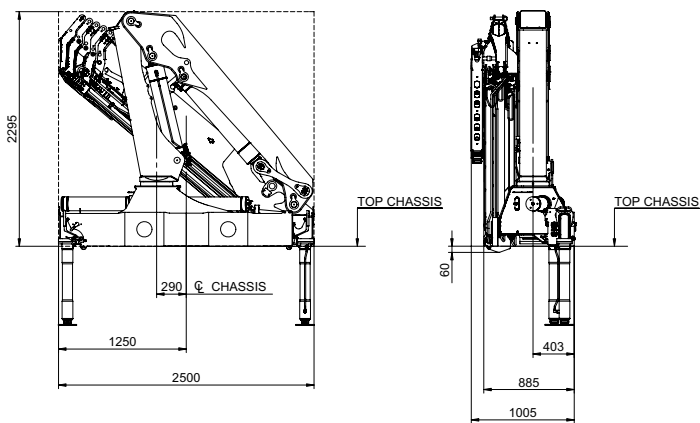
HMF 2030-K



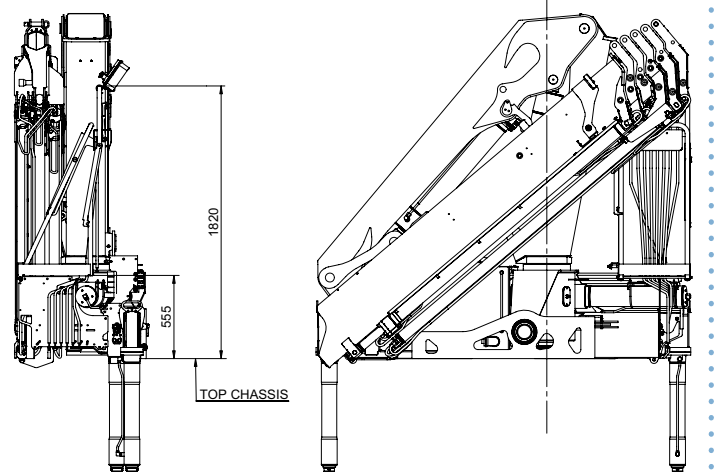
HMF 2030-K with over-bending of 15°



HMF 2030-K with winch



HMF 2030-K with stand-up controls



Z008406-1

We reserve the right to introduce improvements and modifications



Højbjerg Maskinfabrik A/S • Oddervej 200 • DK-8270 Højbjerg
Tel.: +45 8627 0800 • Fax: +45 8627 0744 • info@hmf.dk

www.hmf.dk